

STUCCO REVEALS

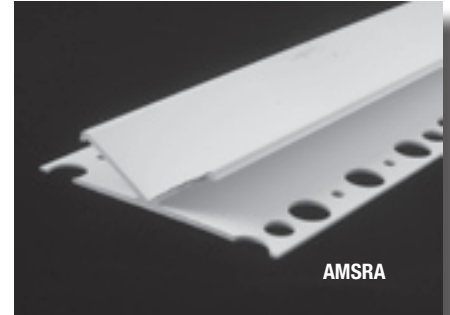
These products were introduced to satisfy the demand for innovative and creative stucco accessories. When used with angled casing beads of the same design, the entire look of the stucco assembly is enhanced. Reveals are not to be considered or used as expansion joints.

Angled Stucco

Reveal creates a unique architectural break in the surface area of a stucco wall. This profile has an improved mechanism for stucco embedment, allowing a better bond between the stucco and the joint to help reduce separation at this location. To function properly, the stucco should be forced under the lip of the bead.

(Patent# D456,528S)

Product No.	Ground	Box Count
AMSRA-380	3/8"	35
AMSRA-500	1/2"	35
AMSRA-580	5/8"	25
AMSRA-750	3/4"	25
AMSRA-780	7/8"	25
AMSRA-1000	1"	20

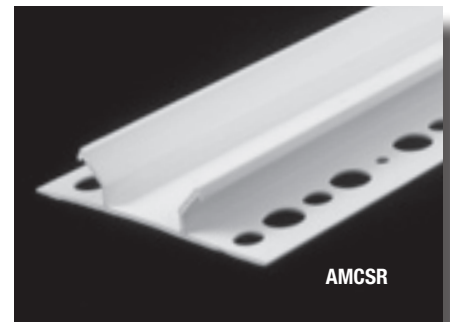


Chamfered and Bull Nose Reveals

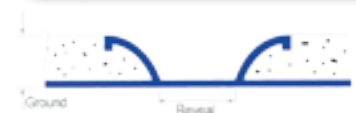
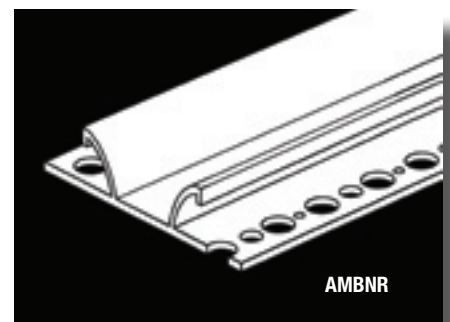
are used to provide an architecturally pleasing break in the surface area of a stucco wall. Chamfered and bull nose reveals are an improvement over standard stucco reveals in that they offer a new, more appealing look to the design and an improved mechanism for stucco embedment. This will improve the bond between the stucco and the joint to help reduce separation at these location. to function properly, the stucco should be forced under the lip of the bead.

(Patent# D456,528S)

Product No.	Ground	Reveal	Box Count
AMCSR-580-1000	5/8"	1"	25
AMCSR-580-1500	5/8"	1 1/2"	25
AMCSR-750-1000	3/4"	1"	25
AMCSR-750-1500	3/4"	1 1/2"	20
AMCSR-780-1000	7/8"	1"	20
AMCSR-780-1500	7/8"	1 1/2"	20



Product No.	Ground	Reveal	Box Count
AMBNR-580-1000	5/8"	1"	25
AMBNR-580-1500	5/8"	1 1/2"	25
AMBNR-750-1000	3/4"	1"	25
AMBNR-750-1500	3/4"	1 1/2"	20
AMBNR-780-1000	7/8"	1"	20
AMBNR-780-1500	7/8"	1 1/2"	20



These vinyl items may not all be in stock and require additional lead time. Please contact AMICO-Lakeland to determine availability and manufacturing lead time.

NOTE: All joints should be embedded in sealant and sealed after installation if necessary.